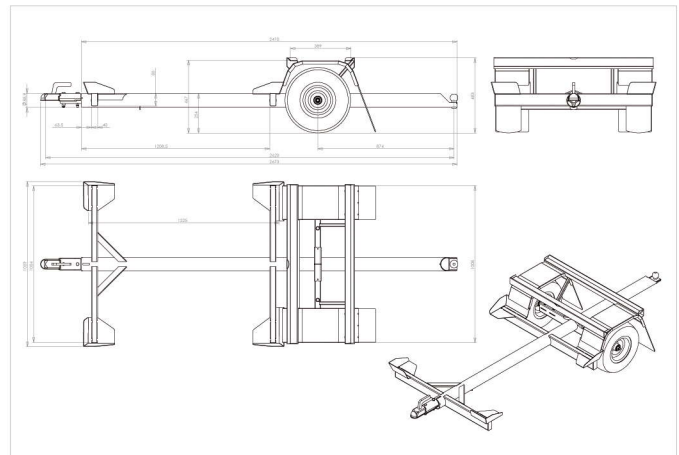




- Orchard carts are designed for transporting crops from the orchard to a cold store or a warehouse.
- They are suitable for plastic and wooden bins weighing up to 400 kg.
- The ergonomic structure of the cart allows for a quick and easy bin loading.
- The enhanced rear shelf with draining system enables to carry additional boxes with fruit or the necessary tools.
- The carts' wheels unlike other carts present in the market have a special tyre tread with 6 layers of linen and rubber which protect and guarantee long and trouble-free work in extreme conditions.

## TECHNICAL DETAILS

APPLICATION	transport of fruits and vegetables
PLATFORM WIDTH	102 cm
OVERAL CARD WIDTH	102,6 cm
GROUND CLEARANCE	18,75 cm
WHEELS	16 x 6.50 - 8
LENGTH	270,6 cm



## CHARACTERISTICS

*Long machine life span is guaranteed by hot-dip zinc galvanization.*

Two-wheeled orchard cart is made of laser-cut sections and steel rolling-mill elements made of bent sheet. The firmness of cart's construction has been obtained by steel pipe of enhanced durability, which is also a shaft of the cart. The single shaft over the entire length of the cart's frame prevents the deformation of the structure.

